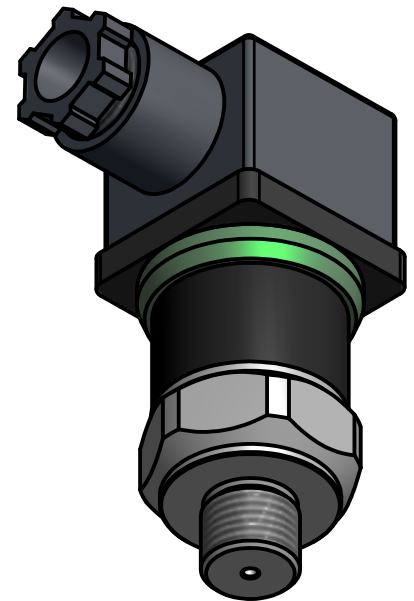
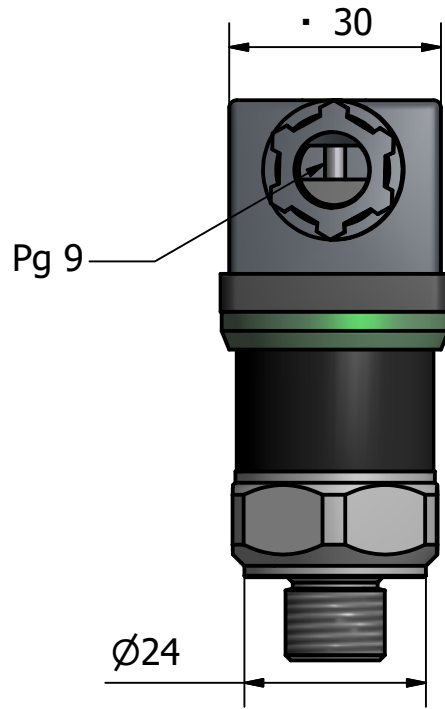
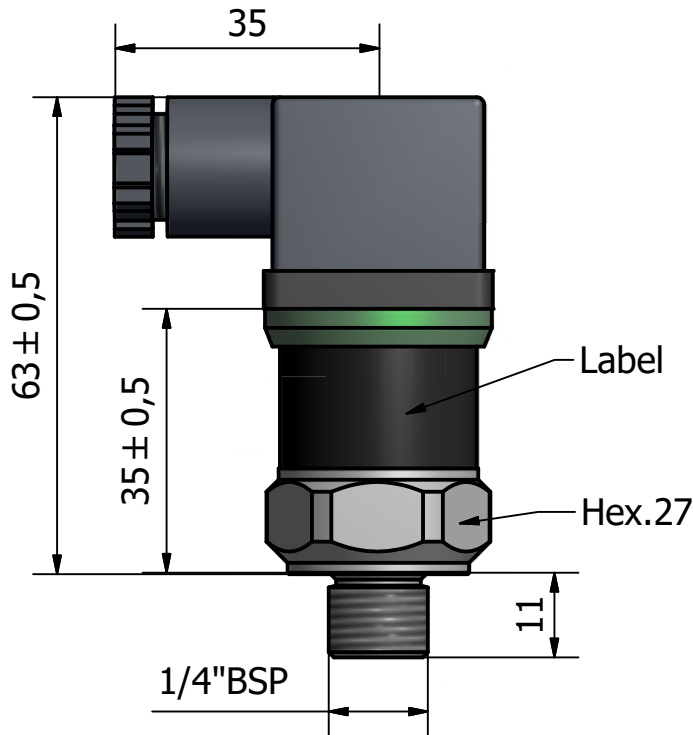


ADJUSTABLE PRESSURE SWITCH F31P/M3-5A



TECHNICAL FEATURES

- Body: hexagonal in zinc-plated carbon steel
- Hydraulic connection: 1/4" BSP male
- Pressure range: 1 > 10 bar
- Max working pressure: 300 bar
- Electric protection: according to DIN 40050:IP65
- Electric contact: according to DIN 43650
- Maximum load: see table
- Working temperature: -20°C to +80°C
- Weight: 0.08 Kg
- Switching frequency: 90 cycles/min
- Fixed hysteresis value: pistone execution ~15% of end of scale
- Mechanical life: 10⁶ cycles at 70 bar (1000 psi) at 20°C
- Exchange contacts: NO and NC
- Switch accuracy: +/- 1% of the end of scale to 20°C
- Operating point: adjustable throught an international screw
- Assembly: in every position

Micro-switch electric features

| Volt DC | F4-Burgess |
|---------|------------|
| 30 | 3 |
| 50 | 1 |
| 75 | 0.75 |
| 125 | 0.5 |
| 250 | 0.25 |

Contacts position: Pressure=0 Bar 1>2= NC and 1>3= NA

| Volt AC | F4-Burgess |
|---------|------------|
| 125 | 5A |
| 250 | 5A |

| | | | | |
|--|--|-------|----------------------------|--------|
| Projection:ISO128 | Date | Name: | DESCRIPTION: | SCALE: |
| | 08/06/2015 | E.L. | ADJUSTABLE PRESSURE SWITCH | 1:1 |
| | 09/09/2015 | ec | | |
| | | | | |
| ALL DIMENSION ARE IN MILLIMETER EXCEPT WHERE OTHERWISE NOTED | FOX S.r.l. | | DRAWING No/FILE NAME | SHEET |
| | Via Romagna 6 20090 Opera (MI) ITALY | | F31P-M3-5A | 1 of 1 |